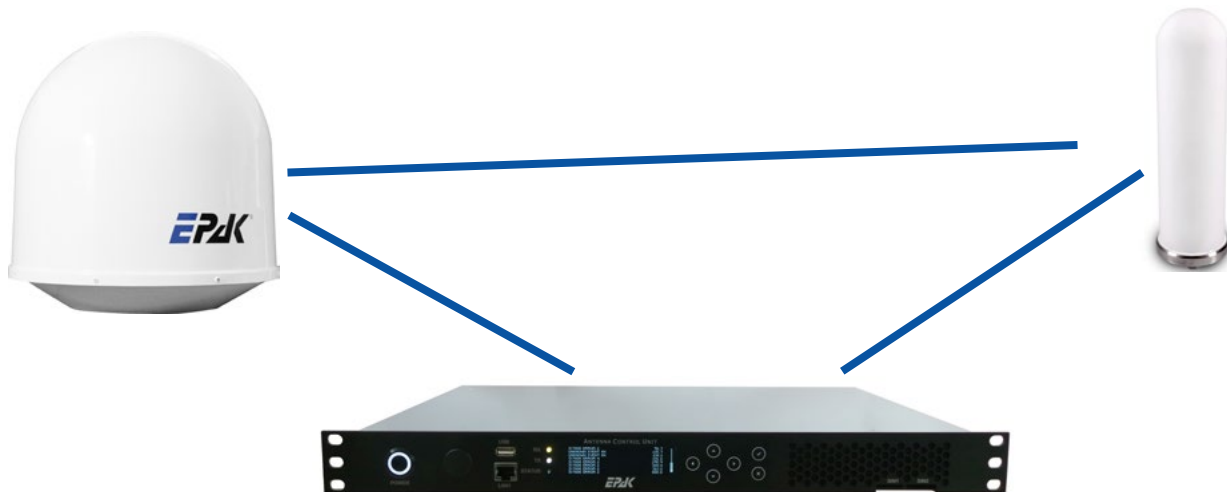






Coastal Internet

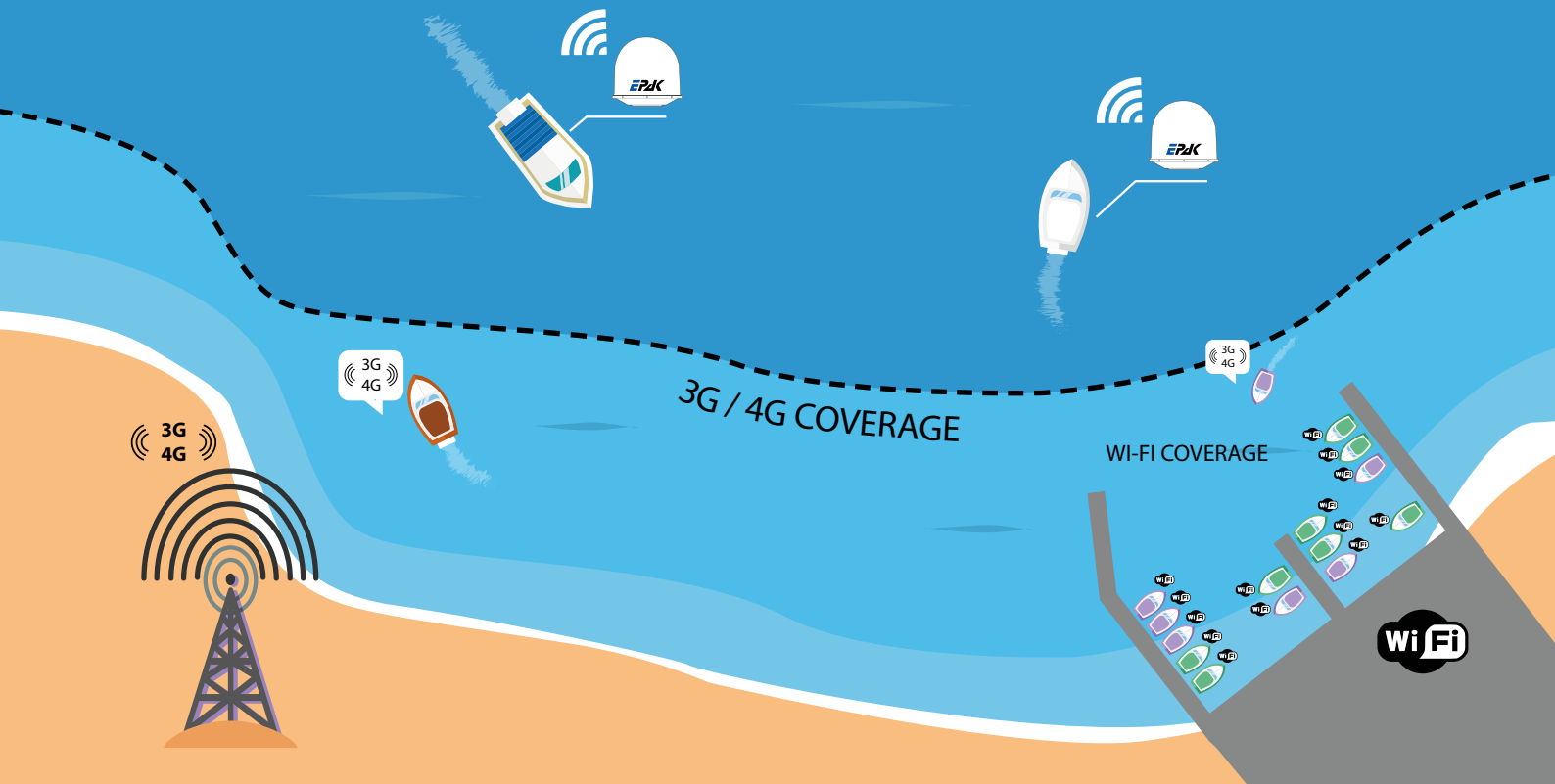
Switch from Satellite Internet to 3G/ 4G when approaching the coast



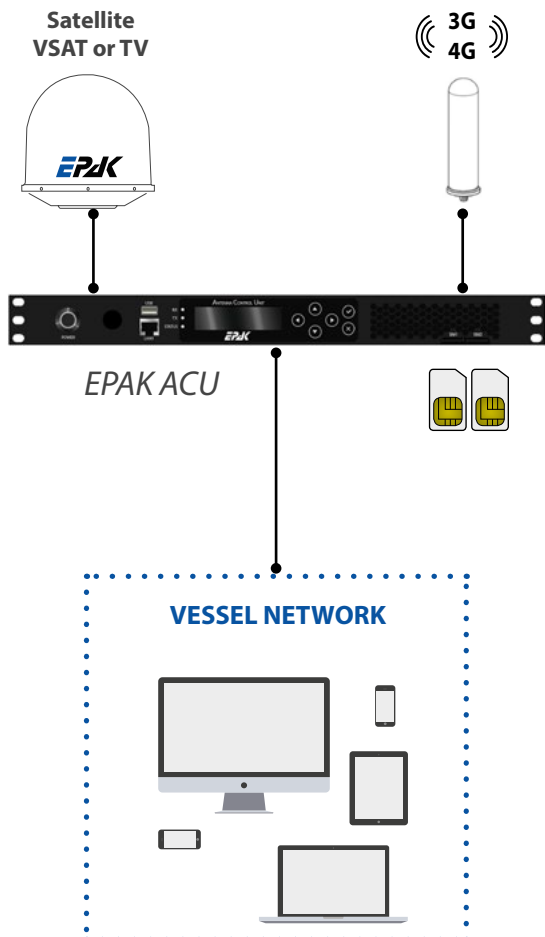
Plug & Play LTE Internet

-  4G / LTE internet modem integrated in antenna control unit
-  2 slots for data SIMs from multiple providers, offering best rates and performance per location
-  Customizable prioritization and fallback settings for automatic handover between satellite connection / 4G
-  Low-cost, high-speed connectivity which can be used up to 20 miles out from shore

Satellite coverage

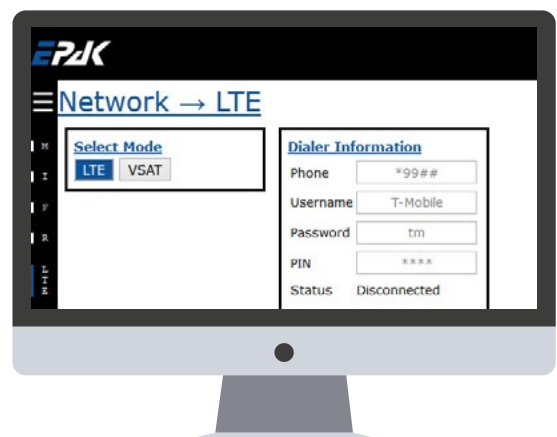


Connection scheme (only for PRO Series)



Webinterface

Access via webinterface for registration of new SIM cards, prioritization and monitoring availability status.



1 - Enter phone number



2 - Enter pin



3 - Go online



AOA-M4G LTE Multiband Omnidirectional Antenna

LTE Region



Europe
North America
Asia
Australia

South America
Africa
APAC

Max Download Speed



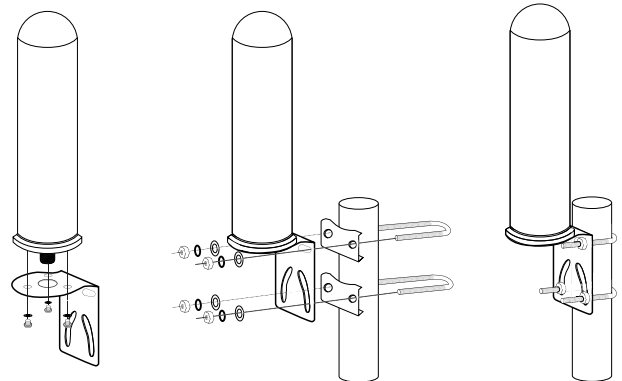
150 Mbps

MaxUpload Speed



50 Mbps

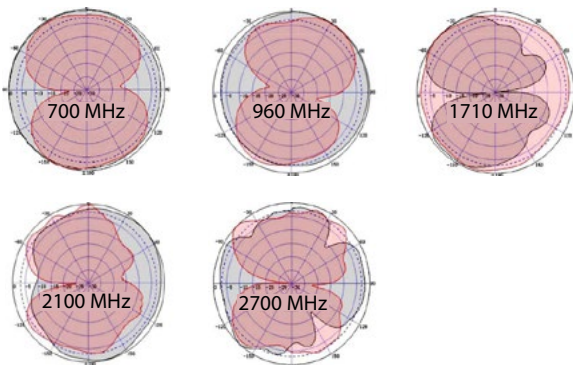
Installation



Cable from ACU to LTE antenna

Coax cable with <18dB cable attenuation for best performance, with 1x SMA- and 1x N-Plug

- up to max 20 m: RG58 LSNH double shielded coax cable, 50 Ohm
- up to max 40 m: LMR240, Low-Loss coax cable with a copper core, 50 Ohm
- up to max 60 m: LMR400 or EcoFlex10



Technical data

Antenna weight	1.6 Kg
Antenna dimensions	20 x 6.3 x 6.3 cm
Antenna gain	4-6 dBi
Impedance	50 Ω
Frequency range	698-960 MHz (GSM, UMTS, LTE800) / 1710-2700 MHz (UMTS, LTE1800, LTE2600)
Operating temperature	-40° to 70°

EPAK® GmbH

Spinnereistr. 7
04179 Leipzig, Germany
Phone +49 (0) 341 2 12 02 60
Fax +49 (0) 341 2 12 02 66