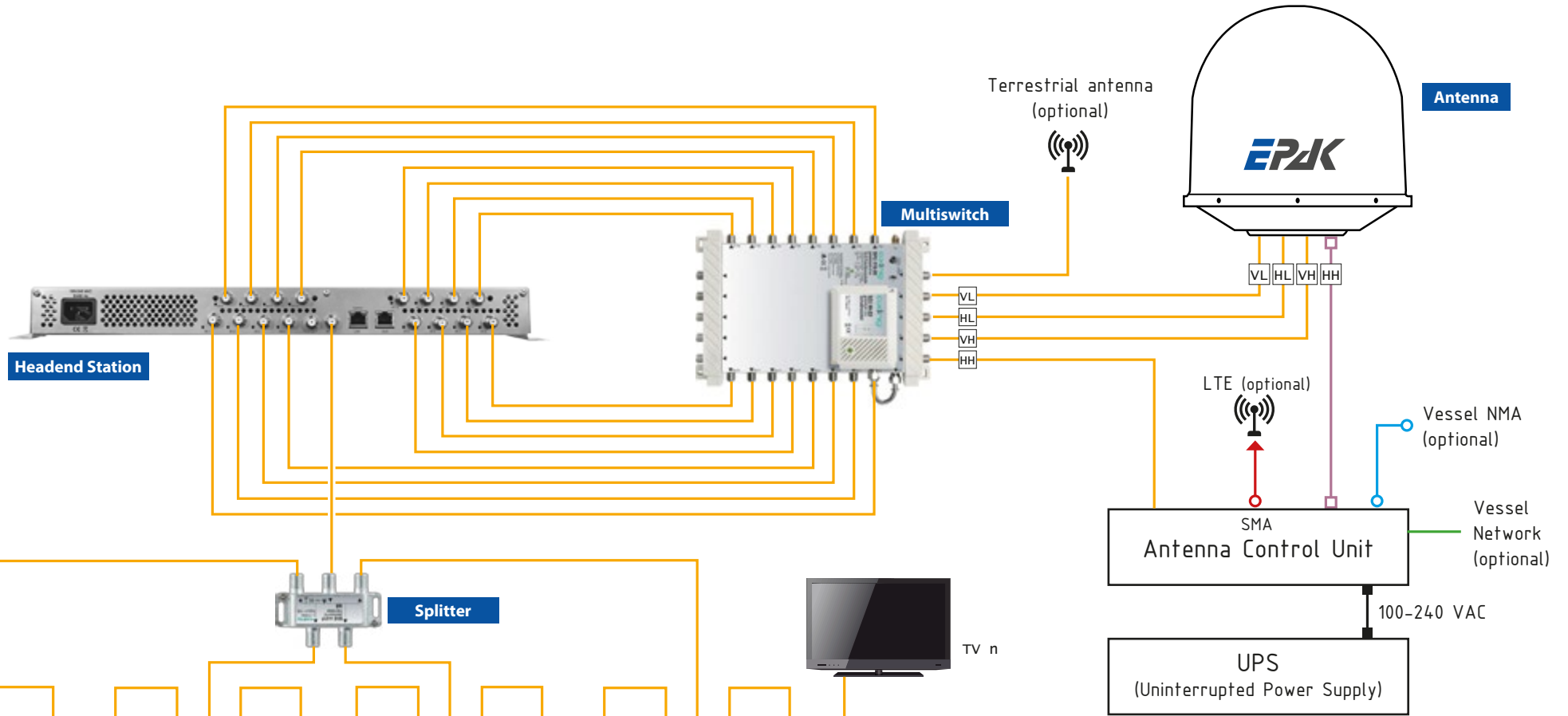


Wiring TVRO Quattro Antenna with Headend Station (RF)



Legend:

- RG6 - solid copper core coaxial cable 3-way shielded (75 Ohm) F-plugs
- RG6 - double shielded satellite coaxial cable (75 Ohm) F-plugs
- RS422/RS232 (Twisted wire)
- Power supply ACU Standard power cable - min. 3x 1.5 sqmm (C13)
- Ethernet cable
- LMR240 (SMA-N)
- TV Cabin outlets

